

# Data Sheet

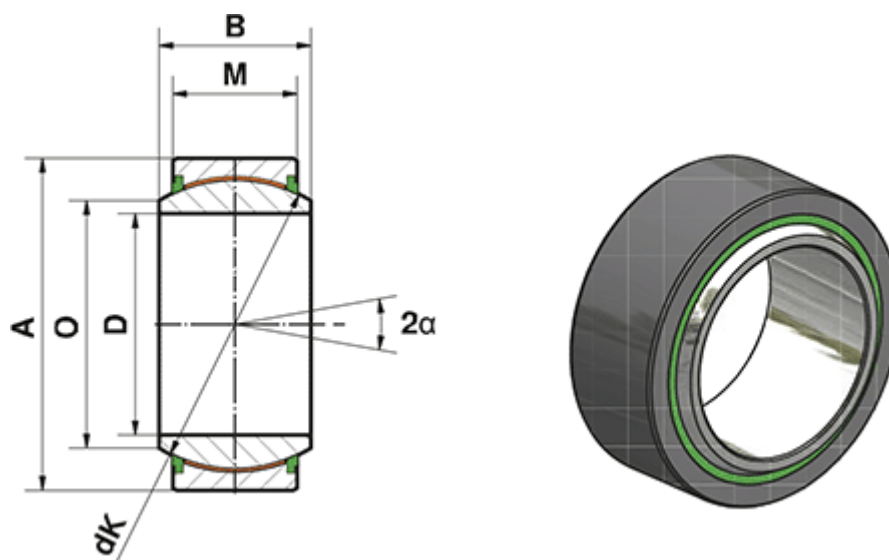


Article number: 03445300

Description: Fluro Heavy Duty Spherical Plain Bearing GE 300 EW-2RS  
Hole Ø300

Note: 300

## Measures



A	= 430
a (degrees)	= 7
B	= 165
D	= 300
dK	= 375
Dynamic load C (kN)	= 10800
M	= 120
O	= 366.7

Static load C0 (kN)	= 18000
Weight (g)	= 76600